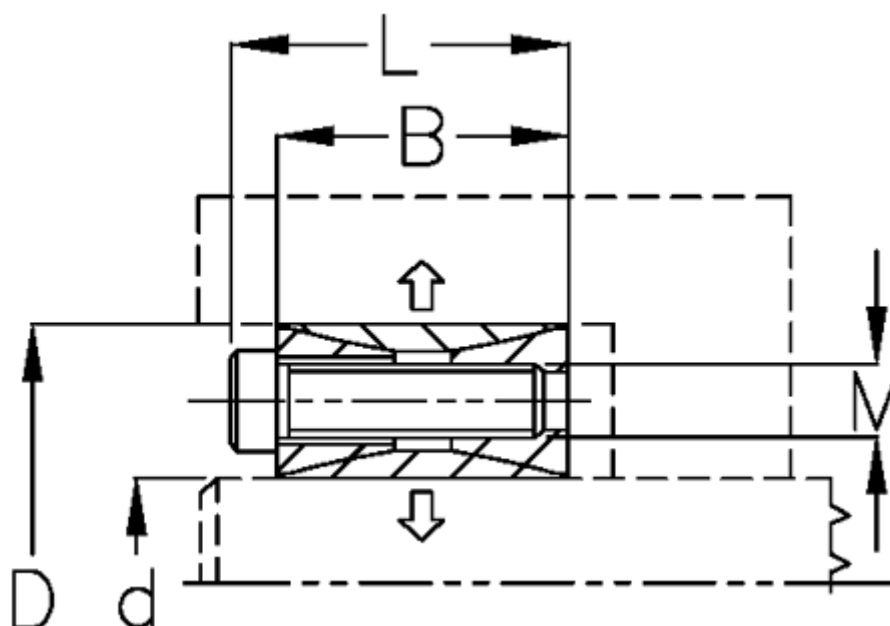


Article number: 432000320  
 Description: Rota-fix shaft-hub connection A 320x405  
 Steel  
 Note: Not self centering. Medium-high torques.

## Measures



B mm	= 78
d H8 mm	= 320405
D mm	= 405
Fit tolerance	= Aksel k11-h11, Nav N11-H11
F kN torque	= 1481.0
L mm	= 98
M mm	= M20
P N/mm <sup>2</sup> surface pressure on shaft/hub	= 135

Surface roughness	=
T N m torque	=
Ts N m bolt tightening torque	=